

Flange bearing with 2 mounting holes: EFOM



- iglidur® W300 highly wear resistant spherical ball
- Easy to install
- Compensation of misalignment errors
- Corrosion-resistance
- Light weight
- Maintenance free, self-lubricating

Technical data

Part No.	Maximum static axial load		Maximum static radial load		Maximum static torque Holes [Nm]	Max. pivot angle	Weight [g]
	Short term [N]	Long term [N]	Short term [N]	Long term [N]			
EFOM-04	400	200	750	375	0.6	28°	1.9
EFOM-05	400	200	750	375	0.6	29°	2.3
EFOM-06	500	250	800	400	0.6	25°	1.8
EFOM-08	700	350	1,100	550	1.3	25°	4.1
EFOM-10	850	425	2,000	1,000	2.5	25°	6.8
EFOM-12	1,100	550	2,200	1,100	2.5	21°	8.9
EFOM-15	1,300	650	2,400	1,200	4.5	20°	15
EFOM-16	1,400	700	2,800	1,400	4.5	27°	17.7
EFOM-17	1,800	900	3,200	1,600	4.5	21°	24.9
EFOM-20	1,800	900	5,500	2,750	10.5	19°	32.8
EFOM-25	3,000	1,500	6,000	3,000	10.5	15°	58.5
EFOM-30	3,500	1,750	6,500	3,250	21.5	14°	78.9

Spherical ball materials to choose ► Page 693



J4VEM:
clearance free,
preloaded



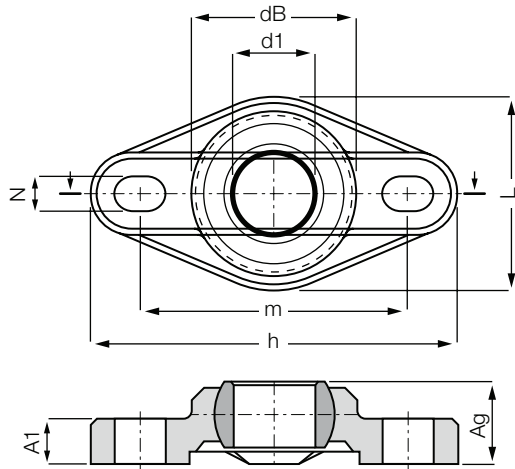
JEM: low
moisture
absorption



REM:
low-cost



J4EM: low-cost
and low moisture
absorption



Order key

Type Size

E F O M - 04

Dimensional series E	Flange bearing	2 holes	Metric	Inner-Ø [mm]
----------------------	----------------	---------	--------	--------------



Material:

Housing: **igumid G** ▶ Page 1235

Spherical ball: **iglidur® W300** ▶ Page 121

Dimensions [mm]

Part No.	d1 E10	dB	h Length	L Width	m Hole pitch ±0.1	A1 Height of plate +0.1	Ag Total height	N Bore diameter d x l
EFOM-04	4	14.0	33.8	16.0	24.0	4.5	8.0	3.2 x 5.0
EFOM-05	5	14.0	33.8	16.0	24.0	4.5	8.5	3.2 x 5.0
EFOM-06	6	14.0	33.8	16.0	24.0	4.5	8.5	3.2 x 5.0
EFOM-08	8	18.0	44.2	22.0	31.0	5.5	10.5	4.3 x 6.5
EFOM-10	10	22.2	52.0	26.0	36.0	6.5	12.0	5.3 x 8.0
EFOM-12	12	25.0	56.7	31.0	41.0	7.0	13.0	5.3 x 8.0
EFOM-15	15	29.8	68.6	36.0	50.0	8.5	15.5	6.4 x 10.0
EFOM-16	16	32.0	72.6	38.0	53.0	10.0	17.5	6.4 x 10.1
EFOM-17	17	34.8	74.6	41.0	55.0	10.0	18.0	6.4 x 10.2
EFOM-20	20	40.0	89.0	47.0	65.0	11.0	20.0	8.4 x 12.5
EFOM-25	25	48.5	101.0	58.5	75.0	14.0	25.0	8.4 x 12.6
EFOM-30	30	55.0	118.0	65.0	87.5	15.0	26.0	10.5 x 16.0

Standard tolerances:

from 0.5 to 6 mm: ±0.1 mm

over 6 to 30 mm: ±0.2 mm

over 30 to 120 mm: ±0.3 mm