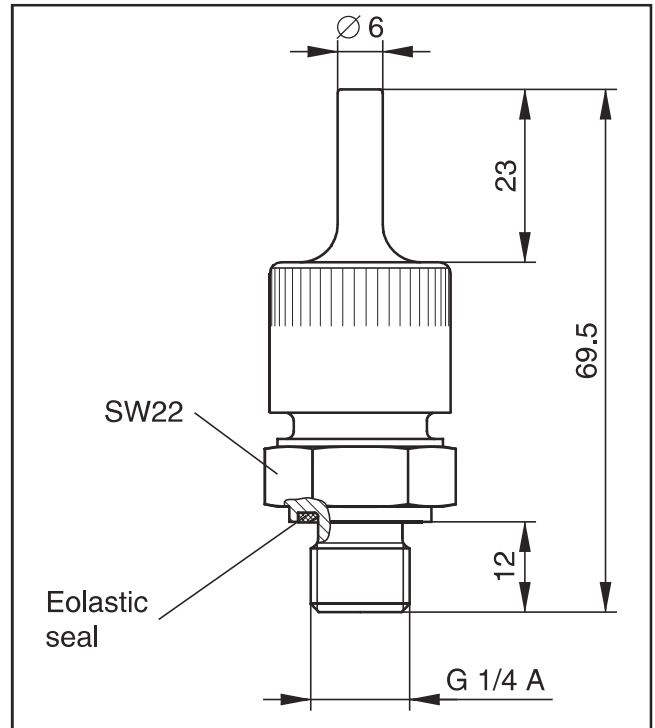


ELA Air-bleed valves

Male BSPP thread with Eolastic seal

PN (bar)	Dry Technology Steel	Weight g/1 piece
400	ELA1/4EDCF	109



EO Swivel

PN (bar)	Dry Technology Steel	Weight g/1 piece
315	ELAE10LCF	125

