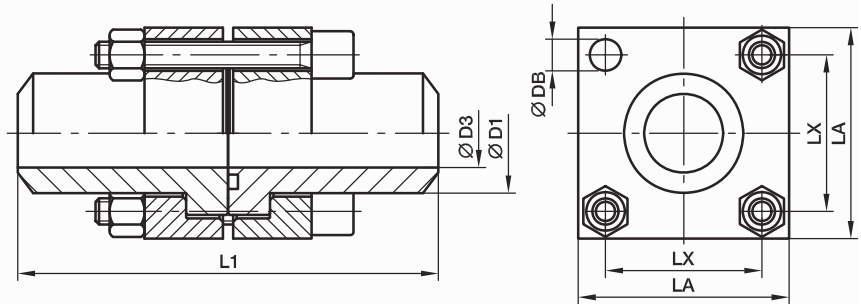


PDSF-B Square flange (butt weld connection)

 Square flange / Butt weld tube end
(ISO 6164)

250 bar Series

Series ²⁾	Nom. flange size		D1	D3	L1	LA	LX	DB	Screws (Metr.)	O-ring	Weight (steel) kg/piece	Order code*	PN (bar) ¹⁾ S
	SAE (in.)	ISO (DN)											
L	3/8	10	17.5	10	80	40	24.7	6.6	M 06x45	17.13x2.62	0.34	PDSF10/L/17.5B	250
L	1/2	13	21.6	13	100	45	29.7	9.0	M 08x50	18.64x3.53	0.44	PDSF13/L/21.6B	250
L	3/4	19	27.2	19	120	50	35.4	9.0	M 08x55	24.99x3.53	0.64	PDSF19/L/27.2B	250
L	1	25	34.5	25	140	65	43.8	11.0	M 10x65	32.93x3.53	1.26	PDSF25/L/34.5B	250
L	1 1/4	32	43.0	31	160	75	51.6	13.5	M 12x75	37.89x3.53	1.84	PDSF32/L/43B	250
L	1 1/2	38	48.6	38	180	90	60.1	17.5	M 16x90	47.22x3.53	2.68	PDSF38/L/48.6B	250
L	2	51	61.0	50	200	100	69.3	17.5	M 16x100	56.74x3.53	4.60	PDSF51/L/61B	250
L	2 1/2	56	76.6	63	220	120	83.4	22.0	M 20x120	69.44x3.53	8.00	PDSF56/L/76.6B	250
L	3	63	89.0	70	240	140	102.5	22.0	M 20x140	85.32x3.53	12.06	PDSF63/L/89B	250
L	4	80	114.0	90	280	160	113.5	22.0	M 24x150	97.79x5.34	21.92	PDSF80/L/114B	250

400 bar Series

S	3/8	10	17.5	10	80	40	24.7	6.6	M 06x45	17.13x2.62	0.40	PDSF10/S/17.5B	400
S	1/2	13	21.6	13	100	45	29.7	9.0	M 08x50	18.64x3.53	0.62	PDSF13/S/21.6B	400
S	3/4	19	27.2	18	120	50	35.4	9.0	M 08x55	24.99x3.53	0.90	PDSF19/S/27.2B	400
S	1	25	34.5	22	140	65	43.8	11.0	M 10x65	32.93x3.53	1.66	PDSF25/S/34.5B	400
S	1 1/4	32	43.0	28	160	75	51.6	13.5	M 12x75	37.89x3.53	2.38	PDSF32/S/43B	400
S	1 1/2	38	48.6	32	180	90	60.1	17.5	M 16x90	47.22x3.53	3.60	PDSF38/S/48.6B	400
S	2	51	61.0	41	200	100	69.3	17.5	M 16x100	56.52x5.34	6.16	PDSF51/S/61B	400
S	2 1/2	56	76.6	50	220	120	83.4	22.0	M 20x130	69.22x5.34	10.28	PDSF56/S/76.6B	400
S	3	63	89.0	58	240	150	102.5	26.0	M 24x140	75.57x5.34	14.68	PDSF63/S/89B	400
S	3 1/2	70	102.0	63	260	160	113.1	26.0	M 24x150	85.09x5.34	16.18	PDSF70/S/102B	400
S	4	80	114.0	74	280	180	123.7	33.0	M 30x180	88.27x5.34	25.50	PDSF80/S/114B	350

1) Pressure shown = Item deliverable

2) L = light series; S = heavy series

$$\frac{\text{PN (bar)}}{10} = \text{PN (M Pa)}$$

The pressures given here are the maximum allowable for the flange fittings. If the pipe or tube used has a lower pressure rating, then the welded assembly rating will be the lower one, assuming the weld is adequately strong.

 *Please add the **suffixes** below according to the material/surface required.

Order code suffixes			
Material	Suffix surface and material	Example Flange coupling incl. flange clamps, metr. screws and O-ring	Standard sealing material (no additional suffix needed)
Steel, blanc oil dipped	S	PDSF10/L/17.5BS	NBR