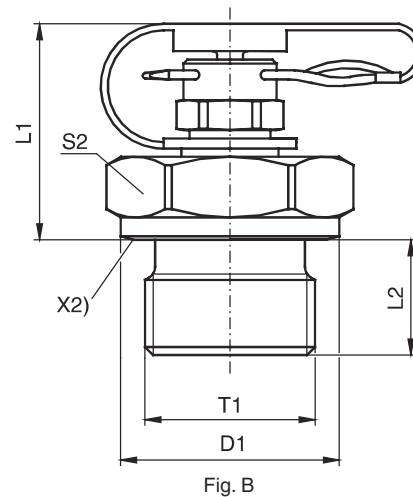
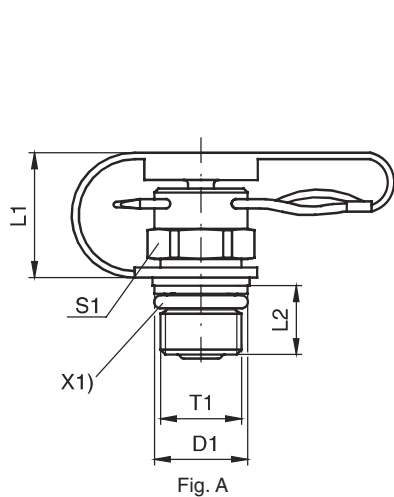


EMA1 Test point fitting with pin-lock

Series 1

Male stud thread: BSP, metric



X1) O-ring
X2) Cutting face

T1	D1	L1	L2	S1	S2	Fig.	Weight g/1 piece	Order code*	PN (bar) ¹⁾ CF	DF**
M 12x1.5	17.0	32.0	12.0		19	B	53	EMA1/12X1.5	400	4
M 14x1.5	19.0	32.0	12.0		19	B	56	EMA1/14X1.5	400	4
M 16x1.5	21.0	25.0	12.0		22	B	47	EMA1/16X1.5	400	4
G 1/8	14.0	32.5	8.0		17	B	41	EMA1/1/8	400	4
G 1/4	18.0	32.0	12.0		19	B	54	EMA1/1/4	400	4
G 3/8	22.0	27.5	12.0		22	B	55	EMA1/3/8	400	4
G 1/2	26.0	27.5	14.0		27	B	78	EMA1/1/2	400	4
M 08x1.0	9.5	17.5	8.4	12		A	16	EMA1/8X1OR	400	4
M 10x1.0	11.5	18.0	8.0	12		A	18	EMA1/10X1OR	400	4
M 10x1.0	14.0	32.5	8.0		17	B	42	EMA1/10X1	400	4

**DF = Design Factor

¹⁾Pressure shown = item deliverable

$$\frac{PN \text{ (bar)}}{10} = PN \text{ (MPa)}$$

*Please add the **suffixes** below according to the material/surface required.

Order code suffixes			
Material	Suffix surface and material	Example	Standard sealing material (no additional suffix needed)
Steel, zinc plated, Cr(VI)-free	CF	EMA1/12X1.5CF	NBR